

PRICE GUIDE

June 2010



## About IDEON™

IDEON is more than a brand – it is an experience. An experience that has been designed with all things considered and deliberate attention to detail. IDEON is meant to inspire and challenge you but also provides tools to assist you in this process at every level of the project...from providing thought starters, to presenting, to design, to specifying and pricing. Every tool has been strategically designed to revitalize the way you do business and allow you to become more efficient and concise.

This price book is just one example of how IDEON will be a resource to you – making doing business with us fun and easy. Witness how we made this book functional and logical.

## How to use this guide

Let's get started with the basics. We've created this guide to make it as easy as possible for you to design and order your IDEON lounge furniture all at the same time. Beginning with seating, by collection, each page gives you dimensions, features, options and a handy add-'em-up box below.

For future orders photocopy the collection page. Or remember the price book is available to you electronically, so you can always print more for future orders.

At IDEON our business model is simple – producing well-designed, durable, comfortable and affordable lounge furniture that's available when you need it. Whether you need a more upscale clean sophisticated look or a more casual, warm, familiar feel IDEON will allow you to design that perfect fit for your Clientele – on budget without sacrificing aesthetics.

Still with us? Good, because there's more. Also included in this book are some policies and programs...more value that can make your order even better, believe it or not. Give them a look-see to discover why IDEON truly is easy to do business with. And if you get lost anywhere along the way – no worries, pick up the phone and give our wonderful customer support group a call **877.994.3366 (877.99.IDEON)**. They'll be happy to walk you through it!

## Table of Contents

### Composium™

Sharp	2-3
Flair	4-5
Curve	6-7
Round	8-9
Ottoman	10-11
Bench	12-13

### Visit™

Armless	14-15
Upholstered Arm	16-17
Wood Arm	18-19
Ottoman	20-21

### Arioso™

Club Chair, Settee, Sofa	22-23
Ottoman	24-25

### Mezzanine™

Square & Round Tables	26
Rectangle & Oval Tables	27
Sofa Table	28
Cube Tables	29

<b>Ordering Information &amp; Freight Program</b>	30-31
---	-------

<b>COM/COL Program</b>	32-34
------------------------	-------

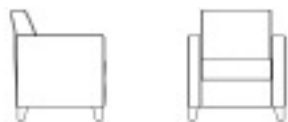
<b>Fabric Direction &amp; Surface Area</b>	35
--	----

<b>Custom Finish Program</b>	36-37
------------------------------	-------

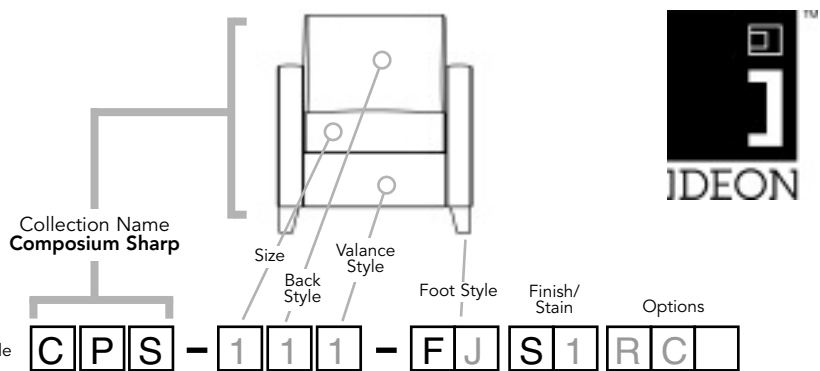
<b>CAL 133 &amp; Moisture Barrier Program</b>	38-39
---	-------

<b>Warranty</b>	40-41
-----------------	-------

# How to Build and Order your Custom Composium Sharp Seating



Your custom model number example



**Composium Collection.** The Composium collection provides a canvas to design furniture unsurpassed in comfort and durability without sacrificing aesthetics. Specify your favorite fabric, finish, back, foot and arm styles and leave your mark by designing your own unique creation with Composium.

## Size (Box 4)

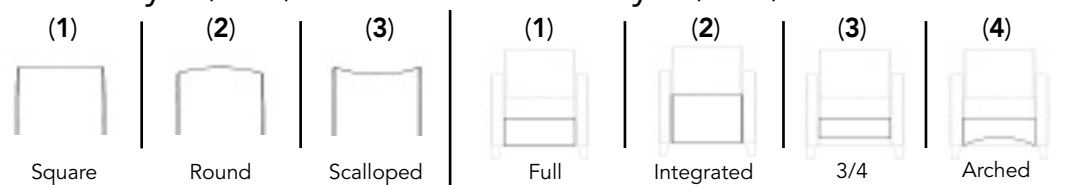
(1)	(2)	(3)
<b>Club</b> \$1,225	<b>Settee</b> \$1,675	<b>Sofa</b> \$2,195
Height 34" Width 31" Depth 28" Seat Width 22" Seat Depth 19.5" Seat Height 19.5" Back Height 16" Arm Height 26" Weight 70 lbs. COM 5 yds. COL 95 sq. ft.	Height 34** Width 53" Depth 28" Seat Width 44" Seat Depth 19.5" Seat Height 19.5" Back Height 16** Arm Height 26** Weight 115 lbs. COM 7.5 yds. COL 142 sq. ft.	Height 34** Width 75" Depth 28" Seat Width 66" Seat Depth 19.5" Seat Height 19.5" Back Height 16** Arm Height 26** Weight 160 lbs. COM 9.75 yds. COL 184 sq. ft.

C P S - [ ] [ ] [ ] - [ ] [ ] [ ] [ ] [ ] [ ] [ ] [ ]  
Box 4 is **Size**  
Do you want 1, 2 or 3 seats?  
Fill in box 4.

## Back Style (Box 5)

## Valance Style (Box 6)

\* Add 2.5" for Scalloped Back.



C P S - [ ] [ ] - [ ] [ ] [ ] [ ] [ ] [ ] [ ] [ ]  
Box 5 is **Back Style**  
Fill in box 5.  
C P S - [ ] [ ] [ ] - [ ] [ ] [ ] [ ] [ ] [ ] [ ] [ ]  
Box 6 is **Valance Style**  
Fill in box 6.

## Foot Style (Box 7 & 8)

Foot pricing for a set of 4.

(F1)	(F4)	(F5)	(F6)	(F7)	(FB)	(FC)	(FD)	(FE)	(FF)	(FH)	(FJ)	(FK)
No Charge	\$32.00	\$38.00	\$32.00	\$38.00	\$37.00	\$67.00	\$67.00	\$90.00	\$90.00	\$69.00	\$69.00	\$125.00

C P S - [ ] [ ] [ ] - [ ] [ ] [ ] [ ] [ ] [ ] [ ] [ ]  
Box 7 & 8 are **Foot Style**  
Fill in box 8.

## Finishes (Box 9 & 10)

## Options (Box 11, 12 & 13)

Finish/Stain selection applies to all Hard Maple wood parts.

(S1) Clear Maple	(S3) Medium Cherry	(S5) Amber Mahogany
(S8) Espresso	(SN) No Stain	(SM) Stain to match program. See finish policy for details.

(T1L) <sup>1</sup> Tablet Arm Left	(T1R) <sup>1</sup> Tablet Arm Right	(C1) Wood Arm Cap	(C2) Urethane Arm Cap	(RC) <sup>2</sup> Removable Cushion	(TB) CA TB133	(MBS) Moisture Barrier Seat	(MBB) Moisture Barrier Back	(MU) Multi-Upholstery	(CO) <sup>2</sup> Clean-Out
\$295	\$295	\$125	\$125	\$50/seat position	Club: \$225 Settee: \$325 Sofa: \$425	\$50/seat position	\$50/back position	\$100/unit	No Charge

C P S - [ ] [ ] [ ] - [ ] [ ] [ ] [ ] [ ] [ ] [ ] [ ]  
Box 9 & 10 are **Finish/Stain**  
Fill in box 10.  
C P S - [ ] [ ] [ ] - [ ] [ ] [ ] [ ] [ ] [ ] [ ] [ ]  
Box 11, 12 & 13 are **Options**  
Fill in boxes 11, 12 and 13 if applicable.

This is your order form. Please photocopy for multiple orders.

Model	Size	Back Val. Style	Foot Style	Finish/Stain	Option(s)	Option Price
C P S	-	[ ] [ ] [ ]	-	[ ] [ ] [ ]	-	[ ] [ ] [ ] = _____
					[ ] [ ] [ ] = _____	
					[ ] [ ] [ ] = _____	
					[ ] [ ] [ ] = _____	

Add up your Composium Sharp subtotal

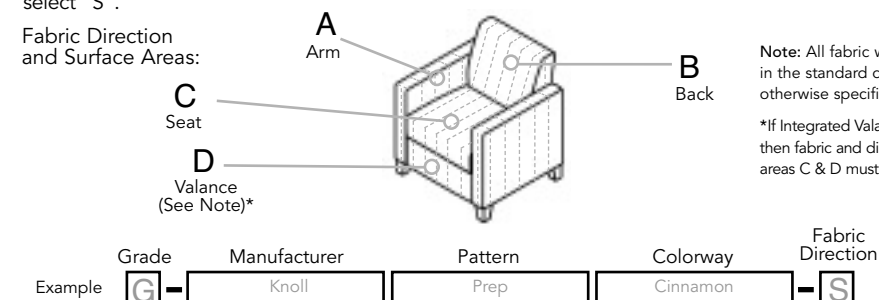
(Option(s) Price Total (Box 11, 12 and 13))	+	(Base Price (Box 4))	+	(Foot Style Price (Box 7 & 8))	=	(Subtotal Box 14)
---	---	----------------------	---	--------------------------------	---	-------------------

## Fabric Direction and Surface areas.

You can customize the fabric selection and/or direction for arms, backs, seats and valances by selecting the "multi-upholstery" (MU) option. For multiple fabric selections, please specify and price your selections by surface area below.

Dotted lines on the furniture image represent the standard direction that IDEON judges the pattern to travel (if fabric is directional). If you wish to rotate the pattern 90° clockwise for each component of a surface area (such as an arm), please select "R" under fabric direction. For standard direction, please select "S".

Fabric Direction and Surface Areas:



Note: All fabric will be applied in the standard direction unless otherwise specified.

\*If Integrated Valance is selected, then fabric and direction for areas C & D must be the same.

## Fabric Grades

Fabric A-Q																Leather L1-L4			
COM (A)	COL (B)	(C)	(D)	(E)	(F)	(G)	(H)	(J)	(K)	(M)	(N)	(P)	(Q)	(L1)	(L2)	(L3)	(L4)		

## Single Upholstered - (Choose fabric grade for single fabric option)

	COM (A)	COL (B)	(C)	(D)	(E)	(F)	(G)	(H)	(J)	(K)	(M)	(N)	(P)	(Q)	(L1)	(L2)	(L3)	(L4)	Single Upholstered Price (14A)
Club	\$0	\$50	\$100	\$150	\$200	\$250	\$320	\$390	\$460	\$530	\$600	\$670	\$740	\$810	\$600	\$725	\$1100	\$1475	
Settee	\$0	\$80	\$160	\$240	\$320	\$400	\$505	\$610	\$715	\$820	\$925	\$1030	\$1135	\$1240	\$900	\$1090	\$1665	\$2240	
Sofa	\$0	\$110	\$220	\$330	\$440	\$550	\$695	\$840	\$985	\$1130	\$1275	\$1420	\$1565	\$1710	\$1200	\$1460	\$2235	\$3010	

## Multiple Upholstered - (Choose fabric grade for multiple fabric (MU) option)

	COM (A)	COL (B)	(C)	(D)	(E)	(F)	(G)	(H)	(J)	(K)	(M)	(N)	(P)	(Q)	(L1)	(L2)	(L3)	(L4)	Price
<b>A. Arm</b>	\$0	\$23	\$45	\$68	\$90	\$113	\$144	\$176	\$207	\$239	\$270	\$302	\$333	\$365	\$270	\$326	\$495	\$664	Area A
<b>B. Back</b>	\$0	\$14	\$28	\$41	\$55	\$69	\$88	\$107	\$127	\$146	\$165	\$184	\$204	\$223	\$165	\$199	\$303	\$406	+
Club	\$0	\$14	\$28	\$41	\$55	\$69	\$88	\$107	\$127	\$146	\$165	\$184	\$204	\$223	\$165	\$199	\$303	\$406	
Settee	\$0	\$29	\$58	\$86	\$115	\$144	\$181	\$217	\$254	\$291	\$328	\$364	\$401	\$438	\$315	\$382	\$585	\$788	Area B
Sofa	\$0	\$44	\$88	\$131	\$175	\$219	\$276	\$332	\$389	\$446	\$503	\$559	\$616	\$673	\$465	\$567	\$870	\$1173	
<b>C. Seat</b>	\$0	\$7	\$14	\$21	\$28	\$34	\$44	\$54	\$63	\$73	\$83	\$92	\$102	\$111	\$83	\$100	\$151	\$203	+
Club	\$0	\$7	\$14	\$21	\$28	\$34	\$44	\$54	\$63	\$73	\$83	\$92	\$102	\$111	\$83	\$100	\$151	\$203	
Settee	\$0	\$14	\$29	\$43	\$58	\$72	\$90	\$109	\$127	\$145	\$164	\$182	\$201	\$219	\$158	\$191	\$293	\$394	Area C
Sofa	\$0	\$22	\$44	\$66	\$88	\$109	\$138	\$166	\$195	\$223	\$251	\$280	\$308	\$336	\$233	\$283	\$435	\$587	
<b>D. Valance</b>	\$0	\$7	\$14	\$21	\$28	\$34	\$44	\$54	\$63	\$73	\$83	\$92	\$102	\$111	\$83	\$100	\$151	\$203	+
Club	\$0	\$7	\$14	\$21	\$28	\$34	\$44	\$54	\$63	\$73	\$83	\$92	\$102	\$111	\$83	\$100	\$151	\$203	
Settee	\$0	\$14	\$29	\$43	\$58	\$72	\$90	\$109	\$127	\$145	\$164	\$182	\$201	\$219	\$158	\$191	\$293	\$394	Area D
Sofa	\$0	\$22	\$44	\$66	\$88	\$109	\$138	\$166	\$195	\$223	\$251	\$280	\$308	\$336	\$233	\$283	\$435	\$587	

Multiple Upholstered Price Total (14B)

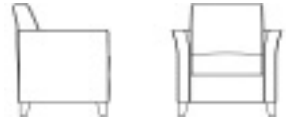
## Specify your fabric by surface area.

	Grade	Manufacturer	Pattern	Colorway	Fabric Direction
Single Upholstered	[ ]	[ ]	[ ]	[ ]	[ ]
Multiple Upholstered	A. [ ]	[ ]	[ ]	[ ]	[ ]
	B. [ ]	[ ]	[ ]	[ ]	[ ]
	C. [ ]	[ ]	[ ]	[ ]	[ ]
	D. [ ]	[ ]	[ ]	[ ]	[ ]

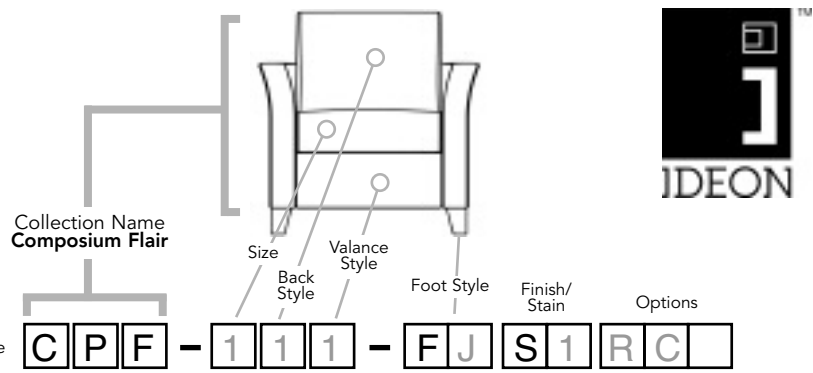
Add up your Composium Sharp total

(Subtotal from left (Box 14))	+	(Single or Multiple Upholstery Price (Box 14A or 14B))	=	(Total)
-------------------------------	---	--	---	---------

# How to Build and Order your Custom Composium Flair Seating



Your custom model number example



**Composium Collection.** The Composium collection provides a canvas to design furniture unsurpassed in comfort and durability without sacrificing aesthetics. Specify your favorite fabric, finish, back, foot and arm styles and leave your mark by designing your own unique creation with Composium.

## Size (Box 4)

(1) Club	(2) Settee	(3) Sofa
Height 34"	Height 34**	Height 34**
Width 33"	Width 55"	Width 77"
Depth 28"	Depth 28"	Depth 28"
Seat Width 22"	Seat Width 44"	Seat Width 66"
Seat Depth 19.5"	Seat Depth 19.5"	Seat Depth 19.5"
Seat Height 19.5"	Seat Height 19.5"	Seat Height 19.5"
Back Height 16"	Back Height 16**	Back Height 16**
Arm Height 26"	Arm Height 26"	Arm Height 26"
Weight 70 lbs.	Weight 115 lbs.	Weight 160 lbs.
COM 4.75 yds.	COM 7.25 yds.	COM 9.5 yds.
COL 90 sq. ft.	COL 137 sq. ft.	COL 180 sq. ft.
<b>\$1,225</b>	<b>\$1,675</b>	<b>\$2,195</b>

C P F - [ ] [ ] [ ] - [ ] [ ] [ ] [ ] [ ] [ ] [ ] [ ]

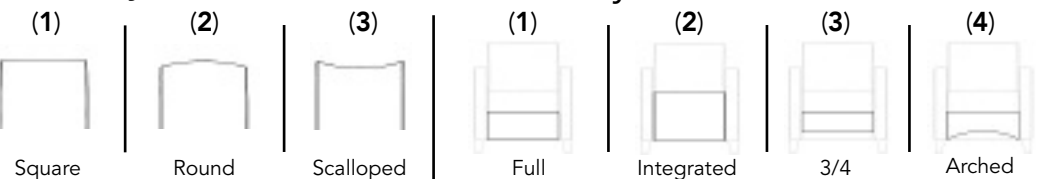
Box 4 is **Size**

Do you want 1, 2 or 3 seats?  
Fill in box 4.

## Back Style (Box 5)

## Valance Style (Box 6)

\* Add 2.5" for Scalloped Back.



C P F - [ ] [ ] [ ] - [ ] [ ] [ ] [ ] [ ] [ ] [ ] [ ]

Box 5 is **Back Style**

Fill in box 5.

C P F - [ ] [ ] [ ] - [ ] [ ] [ ] [ ] [ ] [ ] [ ] [ ]

Box 6 is **Valance Style**

Fill in box 6.

## Foot Style (Box 7 & 8)

Foot pricing for a set of 4.

(F1)	(F4)	(F5)	(F6)	(F7)	(FB)	(FC)	(FD)	(FE)	(FF)	(FH)	(FJ)	(FK)
Standard Plastic in Black	Non-locking Caster in Black	Locking Caster in Black	Non-locking Caster in Silver	Locking Caster in Silver	Metal Angular Brushed Aluminum	Metal 1.5 Inch Pole Brushed Steel	Metal 1.5 Inch Pole Silver Powder Coat	Metal 1.5 Inch Pole Anchor Foot in Brushed Steel	Metal 1.5 Inch Pole Anchor Foot in Silver Powder Coat	Wood Tapered Cylinder	Wood Tapered Square	Wood Tapered Square with side rails
No Charge	\$32.00	\$38.00	\$32.00	\$38.00	\$37.00	\$67.00	\$67.00	\$90.00	\$90.00	\$69.00	\$69.00	\$125.00

C P F - [ ] [ ] [ ] - [ ] [ ] [ ] [ ] [ ] [ ] [ ] [ ]

Box 7 & 8 are **Foot Style**

Fill in box 8.

## Finishes (Box 9 & 10)

## Options (Box 11, 12 & 13)

Finish/Stain selection applies to all Hard Maple wood parts.

(S1)	(S3)	(S5)	(S8)	(SN)
Clear Maple	Medium Cherry	Amber Mahogany	Espresso	No Stain

(SM) Stain to match program. See finish policy for details.

(C1)	(RC) <sup>1</sup>	(TB)	(MBS)	(MBB)	(MU)	(CO) <sup>2</sup>
Wood Arm Cap	Removable Cushion	CA TB133	Moisture Barrier Seat	Moisture Barrier Back	Multi-Upholstery	Clean-Out
\$125	\$50/seat position	Club: \$225 Settee: \$325 Sofa: \$425	\$50/seat position	\$50/back position	\$100/unit	No Charge

C P F - [ ] [ ] [ ] - [ ] [ ] [ ] [ ] [ ] [ ] [ ] [ ]

Box 9 & 10 are **Finish/Stain**

Fill in box 10.

C P F - [ ] [ ] [ ] - [ ] [ ] [ ] [ ] [ ] [ ] [ ] [ ]

Box 11, 12 & 13 are **Options**

Fill in boxes 11, 12 and 13 if applicable.

<sup>1</sup>Select only one tablet per Club chair. <sup>2</sup>Not available with an integrated valance.

**This is your order form. Please photocopy for multiple orders.**

Model	Size	Back Style	Val. Style	Foot Style	Finish/Stain	Option(s)	Option Price
C P F	- [ ] [ ] [ ]	- [ ] [ ] [ ]	- [ ] [ ] [ ]	- [ ] [ ] [ ]	- [ ] [ ] [ ]	[ ] [ ] [ ] [ ] [ ] [ ] [ ] [ ]	= _____
						[ ] [ ] [ ] [ ] [ ] [ ] [ ] [ ]	= _____
						[ ] [ ] [ ] [ ] [ ] [ ] [ ] [ ]	= _____
						[ ] [ ] [ ] [ ] [ ] [ ] [ ] [ ]	= _____

**Build your Composium Flair**



Add up your Composium Flair subtotal

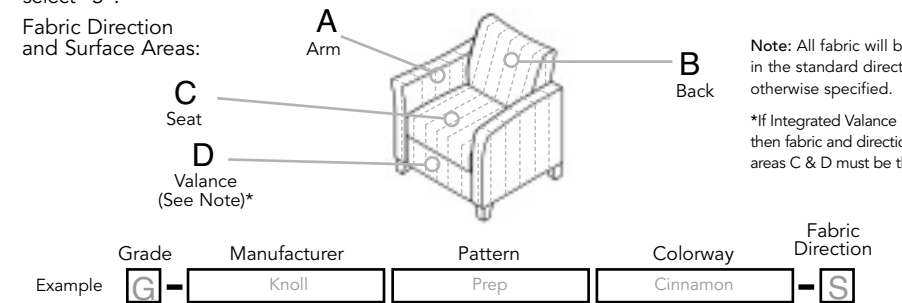
[ ] [ ] [ ] [ ] [ ] [ ] [ ] [ ]	+	[ ] [ ] [ ] [ ] [ ] [ ] [ ] [ ]	+	[ ] [ ] [ ] [ ] [ ] [ ] [ ] [ ]	=	[ ] [ ] [ ] [ ] [ ] [ ] [ ] [ ]	
(\$)	Option(s) Price Total (Box 11, 12 and 13)	(\$)	Base Price (Box 4)	(\$)	Foot Style Price (Box 7 & 8)	(\$)	Subtotal Box 14

## Fabric Direction and Surface areas.

You can customize the fabric selection and/or direction for arms, backs, seats and valances by selecting the "multi-upholstery" (MU) option. For multiple fabric selections, please specify and price your selections by surface area below.

Dotted lines on the furniture image represent the standard direction that IDEON judges the pattern to travel (if fabric is directional). If you wish to rotate the pattern 90° clockwise for each component of a surface area (such as an arm), please select "R" under fabric direction. For standard direction, please select "S".

Fabric Direction and Surface Areas:



Note: All fabric will be applied in the standard direction unless otherwise specified.

\*If Integrated Valance is selected, then fabric and direction for areas C & D must be the same.

## Fabric Grades

Fabric A-Q																Leather L1-L4			
COM (A)	COL (B)	(C)	(D)	(E)	(F)	(G)	(H)	(J)	(K)	(M)	(N)	(P)	(Q)	(L1)	(L2)	(L3)	(L4)		

## Single Upholstered - (Choose fabric grade for single fabric option)

	COM (A)	COL (B)	(C)	(D)	(E)	(F)	(G)	(H)	(J)	(K)	(M)	(N)	(P)	(Q)	(L1)	(L2)	(L3)	(L4)	Single Upholstered Price (14A)
Club	\$0	\$50	\$100	\$150	\$200	\$250	\$320	\$390	\$460	\$530	\$600	\$670	\$740	\$810	\$600	\$725	\$1100	\$1475	[ ] [ ] [ ] [ ] [ ] [ ] [ ] [ ]
Settee	\$0	\$80	\$160	\$240	\$320	\$400	\$505	\$610	\$715	\$820	\$925	\$1030	\$1135	\$1240	\$900	\$1090	\$1665	\$2240	[ ] [ ] [ ] [ ] [ ] [ ] [ ] [ ]
Sofa	\$0	\$110	\$220	\$330	\$440	\$550	\$695	\$840	\$985	\$1130	\$1275	\$1420	\$1565	\$1710	\$1200	\$1460	\$2235	\$3010	[ ] [ ] [ ] [ ] [ ] [ ] [ ] [ ]

## Multiple Upholstered - (Choose fabric grade for multiple fabric (MU) option)

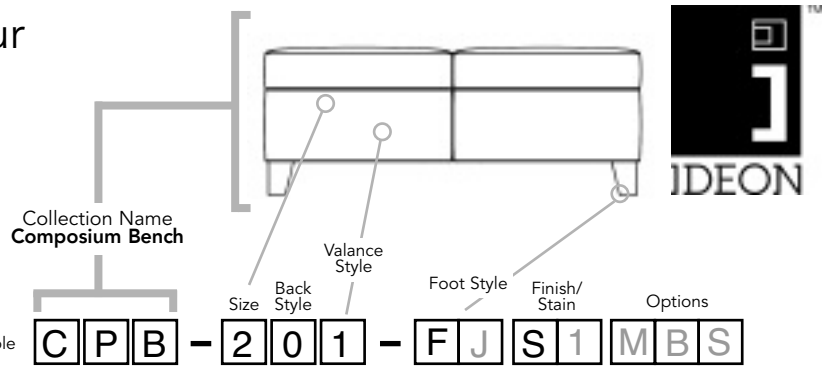
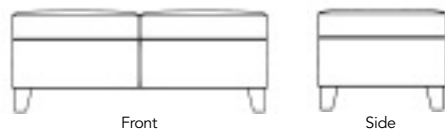
	COM (A)	COL (B)	(C)	(D)	(E)	(F)	(G)	(H)	(J)	(K)	(M)	(N)	(P)	(Q)	(L1)	(L2)	(L3)	(L4)	Price
<b>A. Arm</b>	\$0	\$23	\$45	\$68	\$90	\$113	\$144	\$176	\$207	\$239	\$270	\$302	\$333	\$365	\$270	\$326	\$495	\$664	[ ] [ ] [ ] [ ] [ ] [ ] [ ] [ ]
																			Area A
																			+
<b>B. Back</b>	\$0	\$14	\$28	\$41	\$55	\$69	\$88	\$107	\$127	\$146	\$165	\$184	\$204	\$223	\$165	\$199	\$303	\$406	[ ] [ ] [ ] [ ] [ ] [ ] [ ] [ ]
Club	\$0	\$14	\$28	\$41	\$55	\$69	\$88	\$107	\$127	\$146	\$165	\$184	\$204	\$223	\$165	\$199	\$303	\$406	[ ] [ ] [ ] [ ] [ ] [ ] [ ] [ ]
Settee	\$0	\$29	\$58	\$86	\$115	\$144	\$181	\$217	\$254	\$291	\$328	\$364	\$401	\$438	\$315	\$382	\$585	\$788	[ ] [ ] [ ] [ ] [ ] [ ] [ ] [ ]
Sofa	\$0	\$44	\$88	\$131	\$175	\$219	\$276	\$332	\$389	\$446	\$503	\$559	\$616	\$673	\$465	\$567	\$870	\$1173	[ ] [ ] [ ] [ ] [ ] [ ] [ ] [ ]
																			Area B
																			+
<b>C. Seat</b>	\$0	\$7	\$14	\$21	\$28	\$34	\$44	\$54	\$63	\$73	\$83	\$92	\$102	\$111	\$83	\$100	\$151	\$203	[ ] [ ] [ ] [ ] [ ] [ ] [ ] [ ]
Club	\$0	\$7	\$14	\$21	\$28	\$34	\$44	\$54	\$63	\$73	\$83	\$92	\$102	\$111	\$83	\$100	\$151	\$203	[ ] [ ] [ ] [ ] [ ] [ ] [ ] [ ]
Settee	\$0	\$14	\$29	\$43	\$58	\$72	\$90	\$109	\$127	\$145	\$164	\$182	\$201	\$219	\$158	\$191	\$293	\$394	[ ] [ ] [ ] [ ] [ ] [ ] [ ] [ ]
Sofa	\$0	\$22	\$44	\$66	\$88	\$109	\$138	\$166	\$195	\$223	\$251	\$280	\$308	\$336	\$233	\$283	\$435	\$587	[ ] [ ] [ ] [ ] [ ] [ ] [ ] [ ]
																			Area C
																			+
<b>D. Valance</b>	\$0	\$7	\$14	\$21	\$28	\$34	\$44	\$54	\$63	\$73	\$83	\$92	\$102	\$111	\$83	\$100	\$151	\$203	[ ] [ ] [ ] [ ] [ ] [ ] [ ] [ ]
Club	\$0	\$7	\$14	\$21	\$28	\$34	\$44	\$54	\$63	\$73	\$83	\$92	\$102	\$111	\$83	\$100	\$151	\$203	[ ] [ ] [ ] [ ] [ ] [ ] [ ] [ ]
Settee	\$0	\$14	\$29	\$43	\$58	\$72	\$90	\$109	\$127	\$145	\$164	\$182	\$201	\$219	\$158	\$191	\$293	\$394	[ ] [ ] [ ] [ ] [ ] [ ] [ ] [ ]
Sofa	\$0	\$22	\$44	\$66	\$88	\$109	\$138	\$166	\$195	\$223	\$251	\$280	\$308	\$336	\$233	\$283	\$435	\$587	[ ] [ ] [ ] [ ] [ ] [ ] [ ] [ ]
																			Area D
																			+
																			Multiple Upholstered Price Total (14B)







# How to Build and Order your Custom Composium Bench



**Composium Collection.** The Composium collection provides a canvas to design furniture unsurpassed in comfort and durability without sacrificing aesthetics. Specify your favorite fabric, finish, back, foot and arm styles and leave your mark by designing your own unique creation with Composium.

## Size (Box 4)

Size	Seat Height	Seat Width	Seat Depth	Weight	COM	COL
(1) Single Seat	18.5"	26"	24"	60 lbs.	2.5 yds.	44 sq. ft.
(2) Double Seat	18.5"	48"	24"	91 lbs.	3 yds.	53 sq. ft.
(3) Three Seat	18.5"	70"	24"	106 lbs.	3.5 yds.	62 sq. ft.

## Back & Valance Style (Box 5 and 6)



- (0) Back Style: Not Applicable
- (1) Valance Style: Full Only - No Charge

## Foot Style (Box 7 & 8)

Foot pricing for a set of 4.

Foot Style	Price
(F1) Standard Plastic in Black	No Charge
(F4) Non-locking Caster in Black	\$32.00
(F5) Locking Caster in Black	\$38.00
(F6) Non-locking Caster in Silver	\$32.00
(F7) Locking Caster in Silver	\$38.00
(FB) Metal Angular Brushed Aluminum	\$3700
(FC) Metal 1.5 Inch Pole Brushed Steel	\$6700
(FD) Metal 1.5 Inch Pole Silver Powder Coat	\$6700
(FE) Metal 1.5 Inch Pole Anchor Foot in Brushed Steel	\$90.00
(FF) Metal 1.5 Inch Pole Anchor Foot in Silver Powder Coat	\$90.00
(FH) Wood Tapered Cylinder	\$69.00
(FJ) Wood Tapered Square	\$69.00

## Finishes (Box 9 & 10)

Finish/Stain selection applies to all Hard Maple wood parts.

Finish/Stain	Price
(S1) Clear Maple	
(S3) Medium Cherry	
(S5) Amber Mahogany	
(S8) Espresso	
(SN) No Stain	
(SM) Stain to match program.	

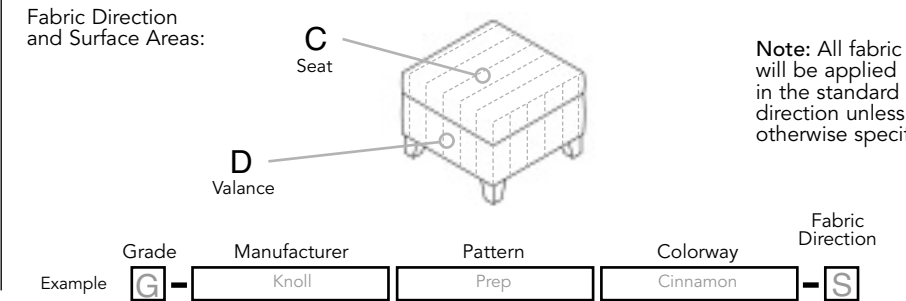
## Options (Box 11, 12 & 13)

Option	Price
(TB) CA TB133	\$75
(MBS) Moisture Barrier Seat	\$50/seat position
(MU) Multi-Upholstery	\$100/unit

## Fabric Direction and Surface areas.

You can customize the fabric selection and/or direction for the seat and valance by selecting the "multi-upholstery" (MU) option. For multiple fabric selections, please specify and price your selections by surface area below.

Dotted lines on the furniture image represent the standard direction that IDEON judges the pattern to travel (if fabric is directional). If you wish to rotate the pattern 90° clockwise for each component of a surface area (such as a valance), please select "R" under fabric direction. For standard direction, please select "S".



**Note:** All fabric will be applied in the standard direction unless otherwise specified

## Fabric Grades

Fabric A-Q													Leather L1-L4				
COM (A)	COL (B)	(C)	(D)	(E)	(F)	(G)	(H)	(J)	(K)	(M)	(N)	(P)	(Q)	(L1)	(L2)	(L3)	(L4)

## Single Upholstered - (Choose fabric grade for single fabric option)

	COM (A)	COL (B)	(C)	(D)	(E)	(F)	(G)	(H)	(J)	(K)	(M)	(N)	(P)	(Q)	(L1)	(L2)	(L3)	(L4)	Single Upholstered Price (14A)
Single Seat	\$0	\$25	\$50	\$75	\$100	\$125	\$170	\$215	\$260	\$305	\$350	\$395	\$440	\$485	\$350	\$425	\$650	\$875	[ ]
Double Seat	\$0	\$30	\$60	\$90	\$120	\$150	\$200	\$250	\$300	\$350	\$400	\$450	\$500	\$550	\$425	\$525	\$800	\$1075	
Three Seat	\$0	\$35	\$70	\$105	\$140	\$175	\$235	\$295	\$355	\$415	\$475	\$535	\$595	\$655	\$525	\$650	\$975	\$1300	

## Multiple Upholstered - (Choose fabric grade for multiple fabric (MU) option)

	COM (A)	COL (B)	(C)	(D)	(E)	(F)	(G)	(H)	(J)	(K)	(M)	(N)	(P)	(Q)	(L1)	(L2)	(L3)	(L4)	Area C
<b>C. Seat</b>																			[ ]
Single Seat	\$0	\$13	\$25	\$38	\$50	\$63	\$85	\$108	\$130	\$153	\$175	\$198	\$220	\$243	\$175	\$213	\$325	\$438	
Double Seat	\$0	\$15	\$30	\$45	\$60	\$75	\$100	\$125	\$150	\$175	\$200	\$225	\$250	\$275	\$213	\$263	\$400	\$538	
Three Seat	\$0	\$18	\$35	\$53	\$70	\$88	\$118	\$148	\$178	\$208	\$238	\$268	\$298	\$328	\$263	\$325	\$488	\$650	
<b>D. Valance</b>																			[ ]
Single Seat	\$0	\$13	\$25	\$38	\$50	\$63	\$85	\$108	\$130	\$153	\$175	\$198	\$220	\$243	\$175	\$213	\$325	\$438	
Double Seat	\$0	\$15	\$30	\$45	\$60	\$75	\$100	\$125	\$150	\$175	\$200	\$225	\$250	\$275	\$213	\$263	\$400	\$538	
Three Seat	\$0	\$18	\$35	\$53	\$70	\$88	\$118	\$148	\$178	\$208	\$238	\$268	\$298	\$328	\$263	\$325	\$488	\$650	

Multiple Upholstered Price Total (14B) [ ]

This is your order form. Please photocopy for multiple orders.

Model: **C P B** - Size: **1 0 1** - Back Val. Style: **F** - Foot Style: **S** - Option(s): [ ] [ ] [ ] = [ ]

Build your Composium Bench



Add up your Composium Bench subtotal [ ] + [ ] + [ ] = [ ]

(\$) Option(s) Price Total (Box 11, 12 and 13) + (\$) Base Price (Box 4) + (\$) Foot Style Price (Box 7 & 8) = (\$) Subtotal Box 14

Single Upholstered: Grade [ ] - Manufacturer [ ] - Pattern [ ] - Colorway [ ] - Fabric Direction [ ]

### Specify your fabric by surface area.

Multiple Upholstered: C. [ ] - Manufacturer [ ] - Pattern [ ] - Colorway [ ] - Fabric Direction [ ]

D. [ ] - Manufacturer [ ] - Pattern [ ] - Colorway [ ] - Fabric Direction [ ]

Add up your Composium Bench total [ ] + [ ] = [ ]

(\$) Subtotal from left (Box 14) + (\$) Single or Multiple Upholstery Price (Box 14A or 14B) = (\$) Total





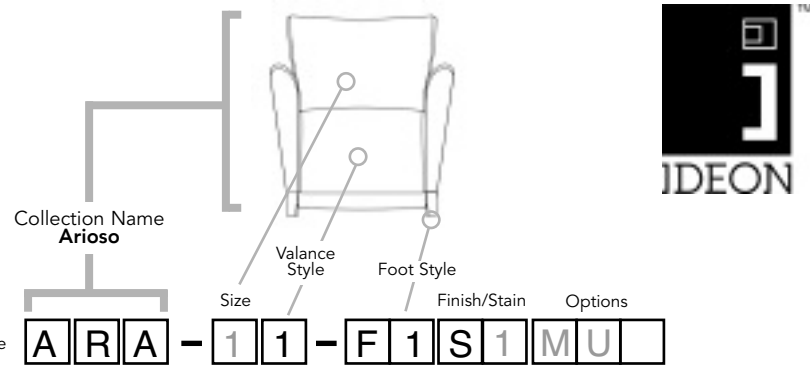




# How to Build and Order your Custom Arioso Seating



Your custom model number example



**Arioso Collection.** Featuring upper-grade fabrics and stylish accessories, this attractive collection provides an exceptional level of comfort and durability. The Arioso collection reflects great taste and design sensibility with quality construction. A top choice for any project, looks good and sits delightful.

## Size (Box 4)

**(1)** Club  
 Height 35"  
 Width 31"  
 Depth 33"  
 Seat Width 22"  
 Seat Depth 21"  
 Seat Height 18.5"  
 Back Height 15.5"  
 Arm Height 26"  
 Weight 70 lbs.  
 COM 5.75 yds.  
 COL 109 sq.ft.  
**\$1,450**

**(2)** Settee  
 Height 35"  
 Width 53"  
 Depth 33"  
 Seat Width 22"  
 Seat Depth 21"  
 Seat Height 18.5"  
 Back Height 15.5"  
 Arm Height 26"  
 Weight 115 lbs.  
 COM 8.75 yds.  
 COL 165 sq.ft.  
**\$1,825**

**(3)** Sofa  
 Height 35"  
 Width 75"  
 Depth 33"  
 Seat Width 22"  
 Seat Depth 21"  
 Seat Height 18.5"  
 Back Height 15.5"  
 Arm Height 26"  
 Weight 160 lbs.  
 COM 10.5 yds.  
 COL 198 sq.ft.  
**\$2,420**

A R A -   -

Box 4 is **Size**  
 Do you want 1, 2 or 3 seats?  
 Fill in box 4.

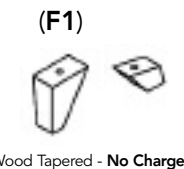
## Valance Style (Box 5)



A R A -   -

Box 5 is **Valance Style**

## Foot Style (Box 6 & 7)



A R A -   -

Box 6 & 7 are **Foot Style**

## Finishes (Box 8 & 9)

Finish/Stain selection applies to all Hard Maple wood parts.

- (S1)**  
Clear Maple
- (S3)**  
Medium Cherry
- (S5)**  
Amber Mahogany
- (S8)**  
Espresso
- (SM)**  
Stain to match program.  
See finish policy for details.

## Options (Box 10, 11 & 12)

- (TB)**  
CA TB133  
Club: **\$225**  
Settee: **\$325**  
Sofa: **\$425**
- (MBS)**  
Moisture Barrier Seat  
**\$50/seat position**
- (MBB)**  
Moisture Barrier Back  
**\$50/back position**
- (MU)**  
Multi-Upholstery  
**\$100/unit**

A R A -   -

Box 8 & 9 are **Finish/Stain**  
 Fill in box 9.

A R A -   -

Box 10, 11 & 12 are **Options**  
 Fill in boxes 10, 11 and 12 if applicable.

This is your order form. Please photocopy for multiple orders.

Model	Size	Val. Style	Foot Style	Finish/Stain	Option(s)	Option Price
A R A	-	1	-	F 1	-	S
<input type="text"/>	<input type="text"/>	<input type="text"/>	<input type="text"/>	<input type="text"/>	<input type="text"/>	<input type="text"/>
<input type="text"/>	<input type="text"/>	<input type="text"/>	<input type="text"/>	<input type="text"/>	<input type="text"/>	<input type="text"/>
<input type="text"/>	<input type="text"/>	<input type="text"/>	<input type="text"/>	<input type="text"/>	<input type="text"/>	<input type="text"/>
<input type="text"/>	<input type="text"/>	<input type="text"/>	<input type="text"/>	<input type="text"/>	<input type="text"/>	<input type="text"/>

Build your Arioso

Add up your Arioso subtotal  +  =

(\$ Option(s) Price Total (Box 10, 11 and 12) + (\$ Base Price (Box 4) = (\$ Subtotal Box 13)



## Fabric Direction and Surface areas.

You can customize the fabric selection and/or direction for arms, backs, seats and valances by selecting the "multi-upholstery" (MU) option. For multiple fabric selections, please specify and price your selections by surface area below.

Dotted lines on the furniture image represent the standard direction that IDEON judges the pattern to travel (if fabric is directional). If you wish to rotate the pattern 90° clockwise for each component of a surface area (such as an arm), please select "R" under fabric direction. For standard direction, please select "S".

Fabric Direction and Surface Areas:

Example: Grade  - Manufacturer  Knoll - Pattern  Prep - Colorway  Cinnamon - Fabric Direction  S

**Note:** All fabric will be applied in the standard direction unless otherwise specified

## Fabric Grades

- Fabric A-Q:  (A)  (B)  (C)  (D)  (E)  (F)  (G)  (H)  (J)  (K)  (M)  (N)  (P)  (Q)
- Leather L1-L4:  (L1)  (L2)  (L3)  (L4)

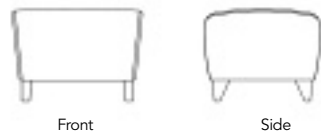
## Single Upholstered - (Choose fabric grade for single fabric option)

	COM (A)	COL (B)	(C)	(D)	(E)	(F)	(G)	(H)	(J)	(K)	(M)	(N)	(P)	(Q)	(L1)	(L2)	(L3)	(L4)	Single Upholstered Price (13A)
Club	\$0	\$60	\$120	\$180	\$240	\$300	\$380	\$460	\$540	\$620	\$700	\$780	\$860	\$940	\$700	\$850	\$1280	\$1710	<input type="text"/>
Settee	\$0	\$100	\$200	\$300	\$400	\$500	\$625	\$750	\$875	\$1000	\$1125	\$1250	\$1375	\$1500	\$1100	\$1325	\$2000	\$2675	<input type="text"/>
Sofa	\$0	\$140	\$280	\$420	\$560	\$700	\$850	\$1000	\$1150	\$1300	\$1450	\$1600	\$1750	\$1900	\$1300	\$1575	\$2400	\$3225	<input type="text"/>

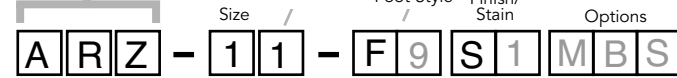
## Multiple Upholstered - (Choose fabric grade for multiple fabric (MU) option)

	COM (A)	COL (B)	(C)	(D)	(E)	(F)	(G)	(H)	(J)	(K)	(M)	(N)	(P)	(Q)	(L1)	(L2)	(L3)	(L4)	Price
<b>A. Arm</b>	\$0	\$24	\$48	\$72	\$96	\$120	\$152	\$184	\$216	\$248	\$280	\$312	\$344	\$376	\$280	\$340	\$512	\$684	<input type="text"/>
																			Area A
																			+
<b>B. Back</b>	\$0	\$24	\$48	\$72	\$96	\$120	\$152	\$184	\$216	\$248	\$280	\$312	\$344	\$376	\$280	\$340	\$512	\$684	<input type="text"/>
Club	\$0	\$51	\$101	\$152	\$203	\$253	\$315	\$377	\$439	\$501	\$563	\$625	\$687	\$749	\$547	\$657	\$992	\$1327	<input type="text"/>
Settee	\$0	\$77	\$155	\$232	\$309	\$387	\$465	\$544	\$623	\$701	\$780	\$859	\$937	\$1016	\$680	\$823	\$1259	\$1694	<input type="text"/>
Sofa																			Area B
																			+
<b>C. Seat</b>	\$0	\$12	\$24	\$36	\$48	\$60	\$76	\$92	\$108	\$124	\$140	\$156	\$172	\$188	\$140	\$170	\$256	\$342	<input type="text"/>
Club	\$0	\$25	\$51	\$76	\$101	\$127	\$158	\$189	\$220	\$251	\$282	\$313	\$344	\$375	\$273	\$328	\$496	\$664	<input type="text"/>
Settee	\$0	\$39	\$77	\$116	\$155	\$193	\$233	\$272	\$311	\$351	\$390	\$429	\$469	\$508	\$340	\$412	\$629	\$847	<input type="text"/>
Sofa																			Area C
Multiple Upholstered Price Total (13B)																			<input type="text"/>

# How to Build and Order your Custom Arioso Ottoman



Collection Name  
**Arioso Ottoman**



**Arioso Collection.** Featuring upper-grade fabrics and stylish accessories, this attractive collection provides an exceptional level of comfort and durability. The Arioso collection reflects great taste and design sensibility with quality construction. A top choice for any project, looks good and sits delightful.

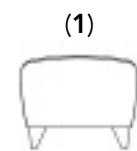
## Size (Box 4)



Seat Height 17.5"  
Seat Width 25"  
Seat Depth 22"  
Weight 28 lbs.  
COM 2.25 yds.  
COL 43 sq. ft.

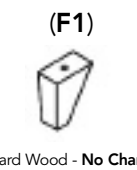
ARZ -   -        
Box 4 is **Size**

## Valance Style (Box 5)



ARZ -   -        
Box 5 is **Valance Style**

## Foot Style (Box 6 & 7)



ARZ -   -        
Box 6 & 7 are **Foot Style**

## Finishes (Box 8 & 9) Options (Box 10, 11 & 12)

Finish/Stain selection applies to all Hard Maple wood parts.

- (S1) Clear Maple
- (S3) Medium Cherry
- (S5) Amber Mahogany
- (S8) Espresso
- (SM) Stain to match program. See finish policy for details.



ARZ -   -        
Box 8 & 9 are **Finish/Stain**  
Fill in box 9.

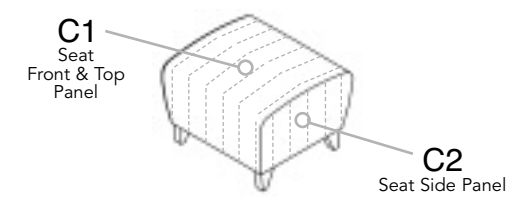
ARZ -   -        
Box 10, 11 & 12 are **Options**  
Fill in boxes 10, 11 and 12 if applicable.

## Fabric Direction and Surface areas.

You can customize the fabric selection and/or direction for the seat and valance by selecting the "multi-upholstery" (MU) option. For multiple fabric selections, please specify and price your selections by surface area below.

Dotted lines on the furniture image represent the standard direction that IDEON judges the pattern to travel (if fabric is directional). If you wish to rotate the pattern 90° clockwise for each component of a surface area (such as a Side Panel), please select "R" under fabric direction. For standard direction, please select "S".

Fabric Direction and Surface Areas:



**Note:** All fabric will be applied in the standard direction unless otherwise specified

Example: Grade  - Manufacturer  - Pattern  - Colorway  - Fabric Direction

## Fabric Grades

- Fabric A-Q:  COM (A)  COL (B)  (C)  (D)  (E)  (F)  (G)  (H)  (J)  (K)  (M)  (N)  (P)  (Q) | Leather L1-L4:  (L1)  (L2)  (L3)  (L4)

### Single Upholstered - (Choose fabric grade for single fabric option)

Single Seat	COM (A)	COL (B)	(C)	(D)	(E)	(F)	(G)	(H)	(J)	(K)	(M)	(N)	(P)	(Q)	(L1)	(L2)	(L3)	(L4)	Single Upholstered Price (13A)
\$0	\$20	\$40	\$60	\$80	\$100	\$125	\$150	\$175	\$200	\$225	\$250	\$275	\$300	\$200	\$245	\$375	\$505	<input type="text"/>	

### Multiple Upholstered - (Choose fabric grade for multiple fabric (MU) option)

C1. Seat Front & Top Panel	COM (A)	COL (B)	(C)	(D)	(E)	(F)	(G)	(H)	(J)	(K)	(M)	(N)	(P)	(Q)	(L1)	(L2)	(L3)	(L4)	Area C
\$0	\$10	\$20	\$30	\$40	\$50	\$63	\$75	\$88	\$100	\$113	\$125	\$138	\$150	\$100	\$123	\$188	\$253	<input type="text"/>	
+																			
C2. Seat Side Panel	COM (A)	COL (B)	(C)	(D)	(E)	(F)	(G)	(H)	(J)	(K)	(M)	(N)	(P)	(Q)	(L1)	(L2)	(L3)	(L4)	Area D
\$0	\$10	\$20	\$30	\$40	\$50	\$63	\$75	\$88	\$100	\$113	\$125	\$138	\$150	\$100	\$123	\$188	\$253	<input type="text"/>	
Multiple Upholstered Price Total (13B) <input type="text"/>																			

**This is your order form. Please photocopy for multiple orders.**

Model	Size	Val. Style	Foot Style	Finish/Stain	Option(s)	Option Price
ARZ	- 11	- F1	- S	-	<input type="text" value=""/> <input type="text" value=""/>	= <input type="text"/>
					<input type="text" value=""/> <input type="text" value=""/>	= <input type="text"/>
					<input type="text" value=""/> <input type="text" value=""/>	= <input type="text"/>

**Build your Arioso Ottoman**

Add up your Arioso Ottoman subtotal

+  +  =

(\$ Option(s) Price Total (Box 10, 11 and 12) + (\$ Base Price (Box 4) + (\$ Foot Style Price (Box 6 & 7) = (\$ Subtotal Box 13)

**Specify your fabric by surface area.**

Single Upholstered	Grade	Manufacturer	Pattern	Colorway	Fabric Direction
<input type="checkbox"/>	<input type="text"/>	<input type="text"/>	<input type="text"/>	<input type="text"/>	<input type="text"/>

Multiple Upholstered	Grade	Manufacturer	Pattern	Colorway	Fabric Direction
C1. <input type="checkbox"/>	<input type="text"/>	<input type="text"/>	<input type="text"/>	<input type="text"/>	<input type="text"/>
C2. <input type="checkbox"/>	<input type="text"/>	<input type="text"/>	<input type="text"/>	<input type="text"/>	<input type="text"/>

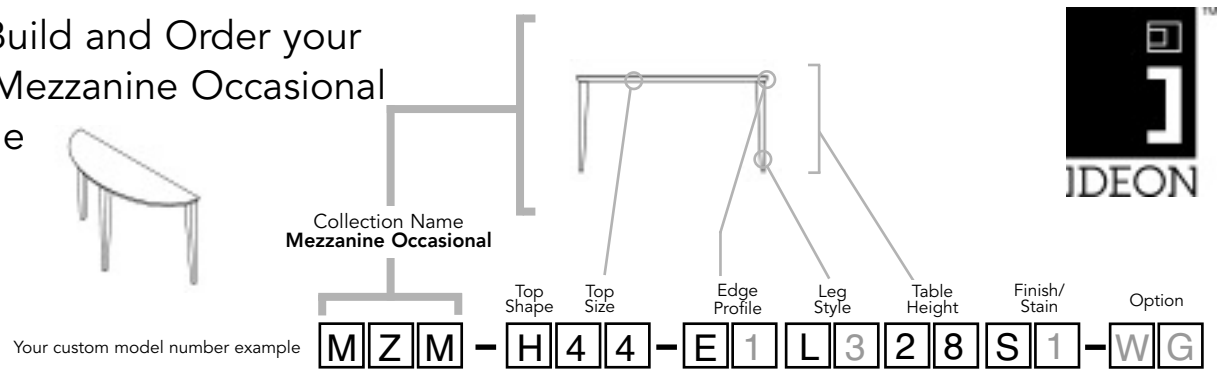
Add up your Arioso Ottoman total

+  =

(\$ Subtotal from left (Box 13) + (\$ Single or Multiple Upholstery Price (Box 13A or 13B) = (\$ Total



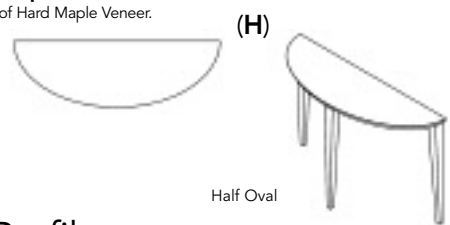
### How to Build and Order your Custom Mezzanine Occasional Sofa Table



**Mezzanine Occasional Table Collection.** With an array of shapes and sizes and a wide variety of attractive edge treatments you can add some quirky design flair to any project. This collection sets the standard for upscale tables that complement any project design.

#### Top Shape (Box 4)

All tables made of Hard Maple Veneer.



#### Top Size (Box 5 & 6)

**(44)**

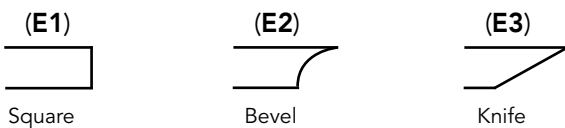
Size  
44" Wide x 14" Deep  
Wt. 35 lbs.

**\$1,150**

**M Z M - H** [ ] [ ] - [ ] [ ] [ ] [ ] [ ] [ ] - [ ] [ ]  
Box 4 is **Top Shape**

**M Z M -** [4] [4] - [ ] [ ] [ ] [ ] [ ] [ ] - [ ] [ ]  
Box 5 & 6 are **Top Size**

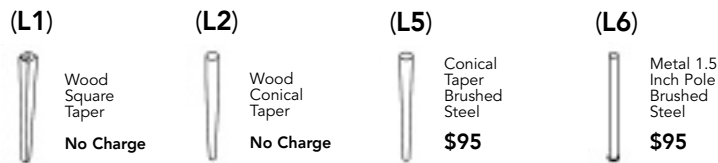
#### Edge Profile (Box 7 & 8)



**M Z M -** [ ] [ ] - **E** [ ] [ ] [ ] [ ] [ ] [ ] - [ ] [ ]  
Box 7 & 8 is **Edge Profile**  
Fill in box 8.

#### Leg Style (Box 9 & 10)

Leg pricing for a set of 4.



**M Z M -** [ ] [ ] - [ ] [ ] **L** [ ] [ ] [ ] [ ] - [ ] [ ]  
Box 9 & 10 are **Leg Style**  
Fill in box 10.

#### Table Height (Box 11 & 12)

**(28)**

28"  
Standard Height  
No Charge

#### Finishes (Box 13 & 14)

Finish/Stain selection applies to all Hard Maple wood parts.



#### Option (Box 15 & 16)

**(WG)\***



Protective Wood Guard Clear Tape Bottom 6" of Leg  
**\$18/leg** position  
\* Available on E + C only.

**M Z M -** [ ] [ ] - [ ] [ ] [ ] [ ] **28** [ ] [ ] - [ ] [ ]  
Box 11 & 12 are **Table Height**

**M Z M -** [ ] [ ] - [ ] [ ] [ ] [ ] [ ] [ ] **S** [ ] [ ] - [ ] [ ]  
Box 13 & 14 are **Finish/Stain**  
Fill in box 14.

**M Z M -** [ ] [ ] - [ ] [ ] [ ] [ ] [ ] [ ] - [ ] [ ]  
Box 15 & 16 are **Option**  
Fill in boxes 15 & 16.

This is your order form. Please photocopy for multiple orders.

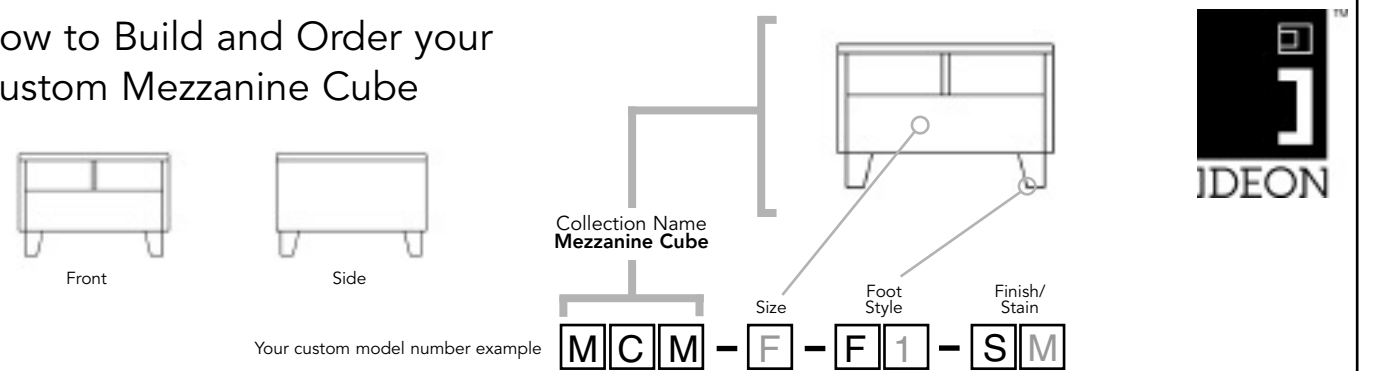
Model Top Shape Top Size Edge Profile Leg Style Table Height Finish/Stain Option  
**M Z M - H 4 4 - E [ ] L [ ] 2 8 S [ ] - [ ] [ ]**

Build your Mezzanine Occasional

[ ] + [ ] + [ ] = [ ]  
(\$) Base Price (Box 5 & 6) (\$) Leg Style Price (Box 9 & 10) (\$) Option Price (Box 15 & 16) (\$) Total



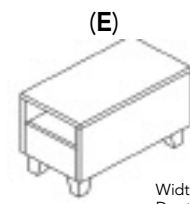
### How to Build and Order your Custom Mezzanine Cube



**Mezzanine Cube Table Collection.** Revitalize any space with the unique modular design elements of the Mezzanine Cube Collection. By leveraging the tables functional storage you can create a clean look with a sophisticated design even in the most casual environments. To complement it's functional aspect, this mobile lounge collection also allows you to frequently update a space with a fresh and current design.

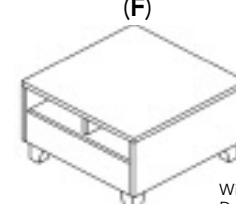
#### Size (Box 4)

All tables made of Hard Maple Veneer.



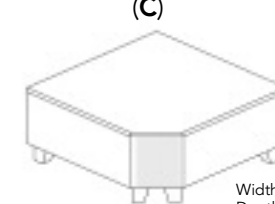
End Table  
**\$595**

Width 13.5"  
Depth 25"  
Height 13"  
Weight 35 lbs.



Coffee Table  
**\$795**

Width 25"  
Depth 25"  
Height 13"  
Weight 52 lbs.



Corner Table  
**\$995**

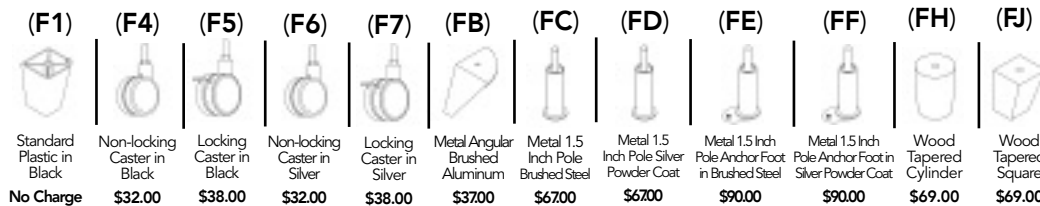
Width 31.5"  
Depth 31.5"  
Height 13"  
Weight 59 lbs.

**M C M -** [ ] [ ] - [ ] [ ] - [ ] [ ]

Box 4 is **Size**  
Fill in box 4.

#### Foot Style (Box 5 & 6)

Foot pricing for a set of 4.



**M C M -** [ ] [ ] - **F** [ ] [ ] - [ ] [ ]

Box 5 & 6 are **Foot Style**  
Fill in box 6.

#### Finishes (Box 7 & 8)

Finish/Stain selection applies to all Hard Maple wood parts.



**M C M -** [ ] [ ] - [ ] [ ] - **S** [ ] [ ]

Box 7 & 8 are **Finish/Stain**  
Fill in box 7&8.

#### Option (Box 9 & 10)

Available for End Table and Corner Table only

**(GV)**



Ganging Bracket\*  
**\$45/unit**

**M C M -** [ ] [ ] - [ ] [ ] - [ ] [ ] - [ ] [ ]

Box 9 & 10 are **Option**  
Fill in box 9&10.

This is your order form. Please photocopy for multiple orders.

Model Size Foot Style Finish/Stain Option  
**M C M - [ ] [ ] - F [ ] [ ] - S [ ] [ ] - [ ] [ ]**

Build your Mezzanine Cube

[ ] + [ ] = [ ]  
(\$) Base Price (Box 4) (\$) Foot Price (Box 5 & 6) (\$) Total



# IDEON Ordering Information and Freight Program

Beyond producing beautiful, well-crafted furniture, our business relies on a couple of fundamentals – being able to receive and deliver your order accurately. It's a simple concept, really. And we've put a lot of thought into it to make sure it stays that way.

## Keeping your orders in order

Here are a few rules and regs to help you understand our ordering process to ensure you get what you want, when you want it.

- **Minimum order size**  
No minimum order required. Please see IDEON Freight Program for possible additional freight charges on minimum quantities.
- **Prices**  
All prices are suggested list and are subject to change without notice. Prices in effect at the time of order will prevail.
- **Change orders**  
Orders that have entered any stage of production may not be changed. All changes on customer orders previously acknowledged must be requested in writing and are subject to approval. Requests for changes are not accepted until acknowledged by IDEON. In the event a revision is accepted, change fees may apply.
- **Design**  
IDEON reserves the right to make changes in design and material, as well as discontinuance of parts and units when such action is deemed to be an improvement in design, function and/or construction.
- **Custom Designs**  
IDEON empowers customers with extensive control over product design, including multi-upholstery options. As such, some configurations may require visual verification prior to production. Visual verification orders will not be scheduled for production or acknowledged with a ship date until the customer has approved the visual image.
- **Product Modifications**  
IDEON has been structured to respond to product modifications. Please contact customer support for more information and the feasibility of the modification. Additional charges and lead-time may apply.
- **Cancellation and Returns**  
Orders that have entered any stage of production cannot be cancelled. Request for cancellations are not accepted until acknowledged by IDEON. In the event a cancellation is accepted by IDEON, cancellation charges may be for the entire amount of the order. Authorization for return must be requested from and approved by IDEON Customer Support prior to the return of the merchandise. Returns are subject to a restocking charge equivalent to 40% of the net order plus freight. Unauthorized returns will not be accepted by IDEON.

## Special delivery

The IDEON Freight Program is designed to ensure your order arrives undamaged and on time. While we might not have a vast workforce of seasonal elves who work for candy canes to make this happen (like some people – you know who you are!), we do have some simple guidelines.

1. IDEON merchandise is shipped F.O.B. California, freight prepaid and allowed. Shipments may be cartoned or wrapped at IDEON discretion. To request a specific shipping method, please contact Customer Support for feasibility, lead-time and quote.
2. Product shipped via this freight program are for normal delivery only and do not include inside delivery, installation, unpacking or the removal of cartoning materials. Reconsignment charges are the responsibility of the customer. Any request for carrier "pre-delivery" notification should be noted on the purchase order. Additional charges will be determined on a per shipment basis. IDEON reserves the right to ship via the most appropriate carrier and/or routing on all shipments. IDEON may use separate carriers for seating and table products. If the customer specifies a carrier, other than the pre-approved carrier, freight will ship collect at the customer's expense via that carrier.
3. The freight program is designed to be delivered freight prepaid to the designed consignee, based upon minimum of three or more furniture items. If the shipment does not meet the minimum unit requirement, a freight surcharge of \$95 NET per shipment will be assessed.
4. Shipments are FOB origin. Title to all goods passes to the purchaser by the transportation company upon receipt. IDEON is not liable for any damages to products that occur during transit or storage. The carrier assumes all responsibility upon acceptance of product. It is the responsibility of the purchaser or consignee to report damage, concealed or otherwise to the carrier promptly upon receipt, and to file any claims with the carrier for loss or damage. No product should be refused. If products are received damaged, a written exception should be made on the bill of lading and an immediate inspection be requested of the carrier. Concealed damage must be reported to the carrier within 15 days of receipt. Failure to make claims shall constitute acceptance of the products and waiver any claims of defects, errors or shortages. Although IDEON will gladly assist with freight claim collections, they are not to be deducted from settlement of IDEON invoices.
5. This program does not apply to the shipment of textiles and/or components.
6. Shipments outside the contiguous U.S. are shipped to the point of embarkation free of charge, if the shipment meets the minimum requirement. All subsequent freight charges will be at the customer's expense, shipped collect.
7. Due to the fluctuation of fuel prices, IDEON reserves the right to impose fuel surcharges to invoices for any shipments.

# The IDEON COM/COL Program

## You buy – we apply

Don't like our huge offering of designer materials and leathers? Fine – buy your own! Seriously, we're OK with it. In fact, we encourage it. Because we want you to be happy with your IDEON product and we'll do everything we can to make it happen.

That's why we designed our COM/COL (customer's own material/customer's own leather) program to make your custom order as quick and easy as possible. IDEON customer support has a ginormous database of tested, pre-approved fabrics right at their fingertips. So just let us know what you're thinking and we'll get to work.

## When placing a COM/COL order, please follow these simple steps:

1. Contact your IDEON customer support representative to verify if your COM/COL has been pre-approved. If so, please skip to #3. If it has yet to be tested or approved, please continue to the next step.
2. COM must be approved by IDEON before acceptance of an order. Please send a one-yard sample along with the COM/COL form on page 32 to the following address for testing:
3. When your COM/COL has been approved, send COM/COL freight prepaid to the ship-to address below along with the following information marked on the outside of the packaging:

**IDEON COM/COL  
Customer Support Department  
6415 Katella Ave Suite 200  
Cypress, CA 90603**

- a. Dealer Name
  - b. Dealer Purchase Order Number
  - c. IDEON Acknowledge Number
  - d. Textile Company Name, Textile Name, Color and Description
4. COM/COL orders will not be scheduled for production or acknowledged with a ship date until IDEON receives, inspects and approves the upholstery.

**COM/COL Ship-to Address: IDEON COM/COL Department  
6280 Artesia Boulevard  
Buena Park, CA 90620**

To ensure material arrives as one complete piece, please include the following statement on your P.O. to the textile company: "COM consumption on one continuous piece." Also, remember to specify the following information: application instructions for striped, patterned or reversible fabrics see page 33. In the absence of any special instructions, IDEON reserves the right to use its own judgment and will apply the fabric in what is determined to be the best manner.

## Additional repeat yardage requirements

Yardage requirements shown in price list are guidelines for non-direction fabrics based on 54" wide fabric. Please add the appropriate percentage of material as listed in the chart below.

Max. Repeat	Fabric Width			
	54"	50"	48"	36"
0	0%	10%	15%	55%
1-3"	5%	15%	25%	55%
4-6"	15%	20%	25%	75%
7-14"	30%	45%	45%	80%
> 14"	Contact Customer Support for requirements.			

## COM – Customer's Own Material

"COM" might be the root of "comedy," but we're not kidding around when it comes to making your custom materials look spectacular on our furniture. So, there are few things you should know about using our program.

1. IDEON cannot be held responsible for appearance, behavior, color accuracy, durability, performance or weaving of COM materials. All Responsibility for COM shipments is between the customer and the textile manufacturer.
2. IDEON cannot predict, nor be responsible for, how an upholstery material wears in an installation setting. We will not be held responsible for wear, fading, stretching or performance of any covering materials whether supplied by the customer or by our sources.
3. While we inspect fabrics for mill imperfections, some are difficult to recognize. IDEON cannot be responsible for defects, color inaccuracies, dye lot variations and other such flaws. When this occurs, the customer will be notified with an explanation of the problem. Additional COM may be required.
4. IDEON assumes no responsibility for the flame retardancy of a COM. Customers are solely responsible for making sure that COM complies with all applicable codes and regulations.
5. We reserve the right to reject any covering that, in our professional opinion, is unsuitable for upholstery purposes. IDEON's approval signifies only that the material in question can be applied to the product for which intended. Such approval does not constitute any responsibility nor any warranty on the part of IDEON as to the appearance, behavior or durability of the COM. In no instance shall IDEON be held responsible for unsatisfactory results due to the use of the covering unsuitable for our manufacturing methods.
6. IDEON cannot be held responsible for unsatisfactory results in the application of COM and a written release from the customer may be required before the order is processed.
7. IDEON is not responsible for yardage submitted to us beyond the required amount. Excess COM will be held in-house up to 90 days and will be recycled after that. If you require your COM yardage returned, please contact customer support to make arrangement. You will be responsible for delivery charges. There will be no warranty on COM.

## COL – Customers Own Leather

Remember that nasty old leather jacket your friend's dad used to squeeze into? Just a quick reminder that cheap, poor-fitting leather is not a pretty sight. That's why we maintain strict quality standards when accepting your leather. It's for your own good. Trust us.

1. Customer's leather must meet standards set by IDEON. Leather upholstery materials are of the finest quality. Because leather is a natural product, variations of texture are common and should be expected. Leather will contain natural markings such as neck wrinkles, scratches, backbone marks and stretch marks. These distinctions give leather its unique characteristics and are considered to be a part of the natural beauty of leather.
2. COL hides must be rolled for shipments to IDEON in a neat manner, avoiding creases and excess roll marks. Leathers that are received folded maybe subject to rejection.
3. Leather footage requirement listed in the price list refer to useable leather footage that meets the standards listed above. Calf hides must be at least 30 square feet of clean useable matching hides. When specifying calf hides, add 15% to COL requirements shown in the price list.
4. IDEON cannot be held responsible for unsatisfactory results in the application of COL and a written release from the customer may be required before the order is processed.
5. IDEON is not responsible for yardage submitted to us beyond the required amount. Excess COL will be held in-house up to 90 days and will be recycled after that. If you require your COL yardage returned, please contact customer support to make arrangement. You will be responsible for delivery charges. There will be no warranty on COL.

IDEON Customer's Own Material/Leather Form (Please Photocopy)

Dealer \_\_\_\_\_  
 Contact Name \_\_\_\_\_  
 Address \_\_\_\_\_  
 City/State/Zip \_\_\_\_\_  
 Phone Number \_\_\_\_\_  
 Fax Number \_\_\_\_\_  
 Email Address \_\_\_\_\_  
 Purchase Order Number \_\_\_\_\_  
 Model Number \_\_\_\_\_  
 Quantity \_\_\_\_\_  
 Fabric Source (Mill) \_\_\_\_\_  
 Fabric Name/Number \_\_\_\_\_  
 Fabric Color \_\_\_\_\_  
 Total Yardage Shipped \_\_\_\_\_

**Please check one:**

- This form is to request fabric testing.
- This form accompanies customer fabric for the referenced P.O. number.

**Application**

Is there a desired top and bottom to the fabric application?

Yes \_\_\_\_\_ No \_\_\_\_\_

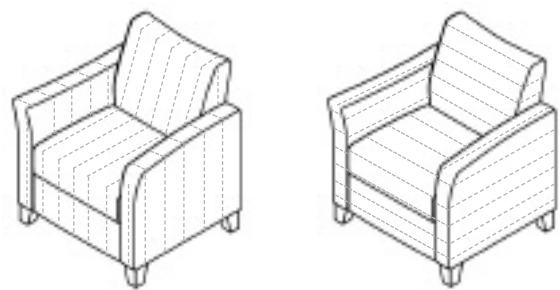
Is the fabric a strip or two-color plaid?

Yes \_\_\_\_\_ No \_\_\_\_\_

If Yes, Apply: Standard \_\_\_\_\_ Rotated \_\_\_\_\_

Circle and check box for correct application below:

- Standard
- Rotated



**Textile Sample**

Attach sample textile cutting here with desired face and direction displayed:

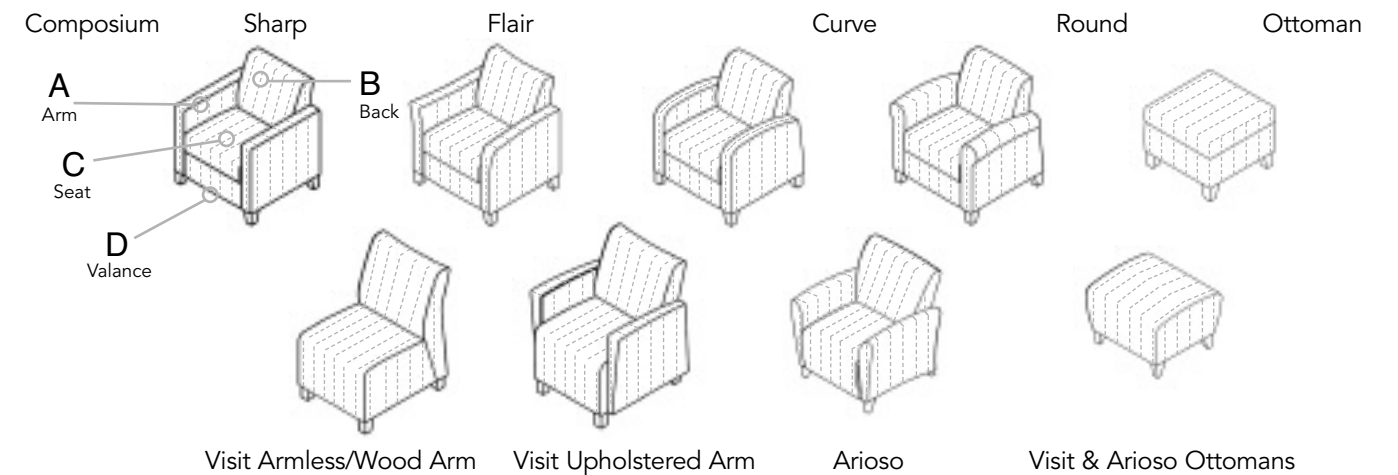
**Comments**

Fabric Direction & Surface Area

Don't you just hate those cities with a bunch of one-way roads? They make it so hard to get where you want to go. Well, we feel the same way about fabric. That's why we let you orient it any way you please. Each of our collections consist of customizable seats, backs, arms and valances (if applicable) – and you can upholster each of them in all the same direction, different directions or even different fabrics with different directions. Each pricing page is an order form with the standard direction diagram below. To help you visualize your choice even more, we've also included both standard and rotated images below.

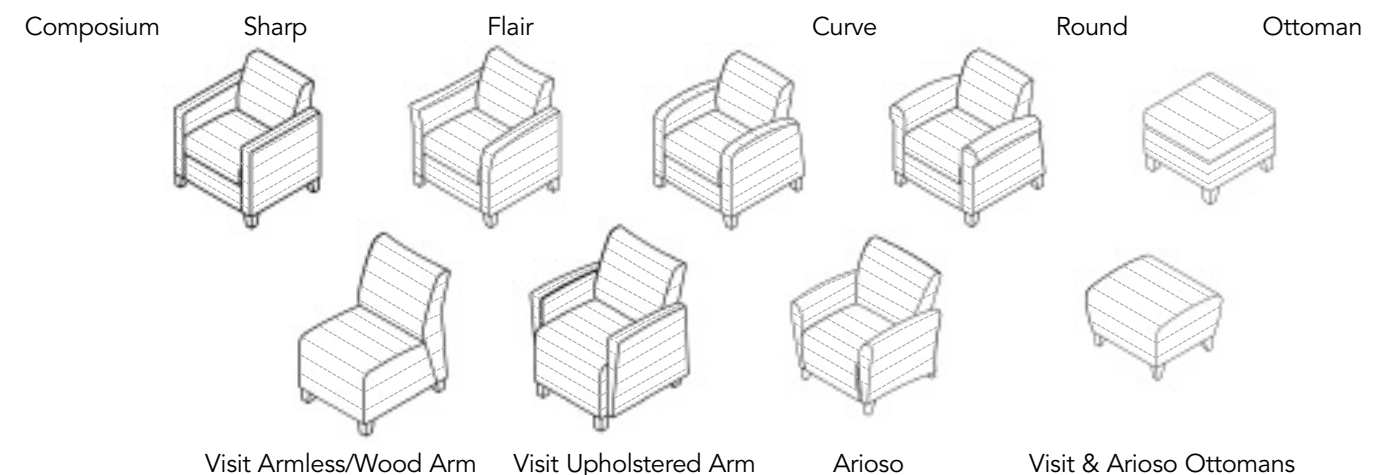
**Standard Directions (S) by surface area**

Dotted lines on the furniture image represent the direction that IDEON judges the pattern to travel (if fabric is directional). If you wish the pattern to travel according to our standard direction for each component of a surface area (such as an arm), please select "S" under fabric direction.



**Rotated Directions (R) by surface area**

Dotted lines on the furniture image represent the direction that IDEON judges the pattern to travel (if fabric is directional). If you wish the pattern to travel according to our rotated direction for each component of a surface area (such as an arm), please select "R" under fabric direction.



Note: All fabric will be applied in the standard direction unless otherwise specified. Since some fabrics may be bi-directional with a subjective dominate direction, IDEON reserves the right to use it's own judgment and will apply the fabric in what is determined to be the best manner. To assure we meet your expectations, some upholstery selections may require visual verification prior to production. Visual verification orders will not be scheduled for production or acknowledged with a ship date until the customer has approved the visual image.

# IDEON's Custom Finish Program

## Do you dream in color?

Nothing brings a room together quite like rich, consistent wood. IDEON makes it easy to put the finishing touches on your finish palette with a custom wood finish program that's easy to understand, easy to use and let's you easily match IDEON wood to just about anything in the surrounding environment.

## Affordable elegance

You really can't put a price on beauty. But if you did, it would look something like this.

- A one-time fee of \$275 net for the development of each new custom finish shall be added to the first order.
- The models receiving the custom finish will also receive an up charge of 5% per IDEON unit at the grade "A/COM" upholstery or base table price.
- On orders of 50 or more units, the 5% up-charge will be waived.

## Confused? Let us paint – or, in this case, finish – a clearer picture

For example:

If you wanted to order a Club chair with grade "C" fabric, you'd take the following steps:

1. Start with the grade "A/COM" price.
2. Add 5%.
3. Then, add the up-charge for your options and grade "C" fabric.
4. Finally, apply the appropriate discount.
5. Don't forget to add the one-time \$275 stain-to-match fee if not already covered by this project.

If you wanted to order a Table, you'd take the following steps:

1. Start with the "base table" price.
2. Add 5%.
3. Then, add the up-charge for your options.
4. Finally, apply the appropriate discount.
5. Don't forget to add the one-time \$275 stain-to-match fee if not already covered by this project.

## Placing your order

Ready to start your finish? It's easy. Just follow these steps – and rules – and your order will go as smoothly as the wood we're custom-staining for you.

1. Send a minimum of 3" x 5" finish sample along with model numbers and options to which the custom finish will be applied. Don't forget to include dealer name, contact and project reference. Get all that stuff together, and send to:

**IDEON Customer Support  
Custom Stain Program  
6415 Katella Avenue  
Cypress, CA 90630  
1-877-994-3366**

2. Custom finishes generally require at least a week for a matched sample. If approved by IDEON (we reserve the right to decline the opportunity to match a finish color) we'll send a sample back to you and include any restrictions that may apply. We'll hold onto an identical sample in our files for future orders.
3. Once you sign off on the sample, return the approval form to Customer Support along with your order. Please include stain option code "SM" under the finish selection of your part number to indicate "Stain to Match" program. We'll need the signed Approval form before we can accept your order, schedule it for production and acknowledge a ship date.

## A woody variation explanation

Wood is inherently beautiful because of its natural variations – Mother Nature gets very upset when you call them "defects" – in color, grain and texture. That said, there may be minor differences from one piece of furniture to the next, even though they are finished at the same time, which means IDEON does not guarantee exact matches of grain or natural wood color. And one more thing you should know – the light finishes on wood product do not mask the natural characteristics of maple species that IDEON uses. So you can still enjoy a rich stain and those beautiful swirly things common in maple grain.

# Inside IDEON's Commitment to Fire and Moisture Resistance

## Sitting pretty, safe and dry

Nothing can ruin those amazing fabrics and fillings you picked out faster than fire and water. So we at IDEON do everything we can to keep our seats safe and dry, adhering to the most stringent industry fire-safety specifications and offering additional moisture protection for those who'd like it. With IDEON, you can be sure all your hard work and vision will be appreciated as much as the deliciously beautiful furniture you've selected.

## Fire Resistance

The California Bureau of Home Furnishings and Thermal Insulation (BHFTI) requires manufacturers to make all California-sold upholstered furniture flame-retardant. Since 1975, the Bureau has developed several performance-based flammability standards, called technical bulletins to set the bar for fire safety. IDEON applies innovative solutions and products to achieve these flame-resistance standards, while doing everything possible to not compromise the environment in the process.

## California Technical Bulletin 117 (TB-117)

All fabrics, vinyl and/or leathers, and resilient filling material (i.e., foam and Dacron) offered by IDEON meet TB-117 at minimum.

- Consult the individual IDEON fabric cards to review fabric specifications inherent in each fabric offered.
- IDEON assumes no responsibility for the flame retardancy of any COM.
- Because we offer such a vast array of fabrics with varying degrees of flame retardancy, we suggest you consult the published technical data of the fabric supplier when selecting your fabric choice.

## California Technical Bulletin 133

Most standard IDEON fabrics, leathers and many COM fabric and leathers, when used in combination with proper components, can meet the requirements of the composite test for California Technical Bulletin 133 and the Boston Fire Code (an open flame test developed for public occupancy furniture sold in Boston that uses methodology different from TB-133 tests and criteria).

- Please refer to the back cover of the IDEON fabric card or fabric specification for TB-133 designation.
- Due to fiber contents, some fabrics may require additional treatment prior to being sent to IDEON for application.
- COM fabrics will be evaluated on an individual basis and may require the testing of the upholstery on the frames.
- If testing is required, additional cost and lead time will apply. Call Customer Support for more details.
- To receive TB-133 or Boston Fire Code certification, please contact Customer Support for lead time and additional costs.

### TB133 List Price Charge per Unit

Ottoman	\$75
Club Chair: Armless or Open Wood Arms	\$150
Club Chair: Upholstered Arms	\$225
Settee	\$325
Sofa	\$425

## Moisture Barrier Program

Accidents will happen. And, eventually, there's going to be a mishap that requires the fabric to have strength and impermeability. IDEON's got it covered with an optional moisture barrier to seats and backs on all our seating products.

To select, please specify the moisture barrier option code (MBS for seats, MBB for Back) in the option section of the model number and add \$50 per each seat and/or back. For example, when ordering a settee with moisture barriers specified for both the seat and back the list price would be \$200 (4 x \$50).

# IDEON's Guarantee That You'll Love Our Warranty

## We've got your back (and your seat, your legs, etc.)

We know you're putting a lot on the line when you select your furniture. Which is why we at IDEON put so much into all our lines. You can rest assured that every product you buy was built with superior craftsmanship and materials. And we stand behind all our products with a warranty that's as solid as our products. That's our warranty guarantee and we think you're going to like it.

### Our warranty

For original end users, we warrant that IDEON products will be free from defects in its material and workmanship as described below. And if there's any problem – no problem. We'll repair or replace, at our option, without charge to the original purchaser only, defective products or parts resulting from normal use (standard 8-hour days, 5 days per week) for the following warranty periods:

#### Seating

10-Year Warranty – the entire time owned by the original purchaser for all chair components including glides, casters, frames and other structural elements.

#### Tables

10-Year Warranty – the entire time owned by the original end user.

#### Fabric & foam

5 Year Warranty – on all collections COM/COL not warranted for wear or long-term adhesion. Normal wear and tear is the specifier's responsibility.

#### A closer look

Here's some stuff our lawyers made us include. It basically spells out what we cover (a lot) and lets you know what we don't (not that much). Take a read through it if you ever need it, or if you need help falling asleep after a few too many dark chocolate-covered espresso beans.

- This warranty shall be effective for the applicable time period beginning from date of purchase as shown on your original receipt or other proof of purchase.
- This warranty is your sole remedy for product defects in material and workmanship and excludes defects or damage due to or arising in connection with transit, product abuse, abnormal use or misuse, negligence, accidents, user modification of, or attachments to the product, including application of your own upholstery materials and products or parts not used, maintained or installed in accordance with the company's installation, maintenance and/or applicable guidelines. Other exclusions include normal aging, fading or wear of fabrics, finishes and filling material.
- We will repair or, at our option, replace the defective part, free of charge to the purchaser.
- Labor and service not covered under warranty.
- There are no other warranties, expressed or implied, other than those specifically described, including without limitation any implied warranty or merchantability or of fitness for a particular purpose.
- We will not be responsible for incidental or consequential damages.
- Some states do not allow the exclusion or limitation of incidental or consequential damages, so the above limitations or exclusions may not apply to you.
- This warranty gives you specific legal rights and you may have other rights, which vary from state to state.

### Material facts

Sometimes, a few imperfections show just how perfect something is. Take furniture coverings, for instance. Sure, a cheaper, man-made material could be manufactured to appear flawless. But nature has a different take on perfection. So, due to natural variations in our natural materials, all IDEON furniture is sold subject to minor irregularities of color, surface, grain and texture.

### Textiles

- Since textiles vary in weave, thickness and memory, some creasing and/or gathering may occur during the upholstery application process.
- Textiles are sold subject to minor variations of color.

### Leather

- Leather upholstery materials are of the finest quality.
- Because leather is a natural product, variations of texture are common and should be expected.
- Leather will contain natural markings such as neck wrinkles, scratches, backbone marks and stretch marks. These distinctions give leather its unique characteristics and are considered to be a part of the natural beauty of leather.

### Our standards are anything but

IDEON is a member of the Business and Institutional Furniture Manufacturer's Association (BIFMA). Tests developed by the Business and Institutional Furniture Manufacturer's Association (BIFMA) and approved by the American National Standards Institute (ANSI) determine the strength and durability of seating in its everyday use. Although this testing does not serve as a warranty or guarantee, IDEON products within this price list generally meet or exceed applicable BIFMA and ANSI standards. In other words, we make really good stuff and we're not afraid to put it to the test.

### Claims

If one of our products fails during normal use (standard 8 hour work day, 5 days per week) within the applicable warranty period, please contact us at:

**customersupport@ideondesign.com**

**OR**

**1-877-994-3366**

Please provide us with:

- An explanation of the defect.
- A description of the relevant part.
- The proof of purchase.
- Your name, address, and telephone number.
- The model number, date of purchase, date of manufacture, cell number, and part number found under the seat of the chair.





6415 Katella Avenue  
Suite 200  
Cypress, California 90630  
714.995.4800  
877.994.3366 (877.99 IDEON)  
[www.IDEONdesign.com](http://www.IDEONdesign.com)

02/08 5M ©2008 Exemplis Corporation.  
Printed in the USA  
™ IDEON, Composium, Visit, Arioso and  
Mezzanine are trademarks of Exemplis  
Corporation.

Form No. C906